

Mobile Skin Analyzer **MSA^{pro}**

*All the functions you need in a single unit.
A complete analysis of your skin with one device.*

Two types of sensors and a scope to quickly check the condition of your skin.

A single MSApro analyzer is ideal for uncovering hidden skin problems.



Touch Panel

Scope



Sensors

Texture	Pigmentation	Sebum	Moisture
Keratine	Elasticity	Brightness	Windows CE5.0
Touch panel	Wireless & portable	5 hours of battery life	USB output terminal



Two types of sensors and a scope to quickly check the condition of your skin.
A single MSApro analyzer is ideal for uncovering hidden skin problems.

The MSApro features various measurement scanners for analyzing your skin condition, all packed into a compact body. Skin texture, pigmentation, sebum, moisture, keratine, elasticity and brightness can all be measured with this one device.

Analysis results of each customer's skin can be compared with the average values for their particular age group. The results are listed in A, B and C levels for the precise analysis of skin conditions.

Touch Panel



Easy to use menu commands by simply touching the screen.

USB Terminal



A USB terminal allows connections to PCs. Skin images can be enlarged and displayed on monitors.

Scope

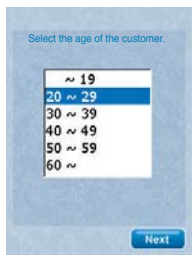


A 50x PL lens allows skin texture and pigmentation to be observed at high magnification.



A special sebum tape is available to allow the scope to analyze the sebum content in the skin.

Analysis Screen



The skin can be analyzed to suit the age of the customer.

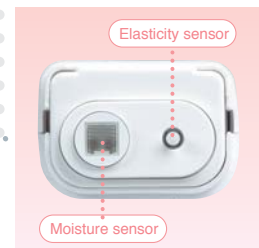


Clear images of the skin are displayed on the screen.



A list of analysis results can be displayed at a glance.

Sensor



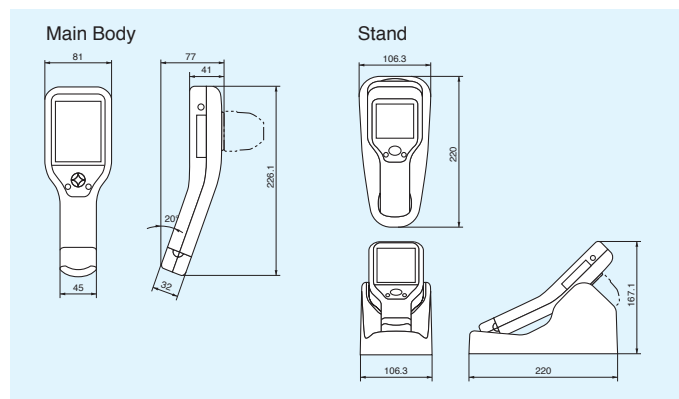
The elasticity and moisture sensor can be operated with a single command to take measurements at the same time.

Specifications

Main Unit	CPU	MIPS 500MHz
	OS	Windows CE 5.0 English version
	LCD	LCD monitor with 3.5" touch panel
Scope	Photographic element	1/3inch CMOS
	Effective resolution ^{*1}	Maximum of 1.3 mega pixels
	Brightness	White LEDs (6 + 9)
Sensors	Elasticity sensor	Ultrasonic oscillation type
	Moisture sensor	Capacitance type
Dimensions	Size (mm)	Main Body : Max 226 x 81 x 77 Stand : Max 220 x 107 x 106
	Weight	Approximately 500g
Other	Rechargeable battery	Lithium ion 4800mAh
	Recharge time ^{*2}	6 hours
	Recharge time ^{*3}	5 hours (with 9 LED on)
	AC adapter	Input 100 to 250 VC Output 5V DC, 2.5 A
	Operating temperature	5°C~35°C

^{*1} MSApro uses a VGA size effective resolution
^{*2, 3} The recharge time and operating time varies with the battery usage.
● Microsoft and Windows are registered trademarks of Microsoft Corporation America.

External Dimensions (mm)



*The specifications and appearance may change without notice due to modifications.
*This device is not for medical purposes.

Manufacturer : **true systems Co., Ltd.**

Distributor : **MORITEX CORPORATION** STR - Science Technology Resources

〒5274 Scotts Valley Dr. #204, Scotts Valley, CA 95066 USA
Phone: 877-395-1001 (831-430-9061) FAX: 866-991-9591 (831-430-9806)
Web: <http://www.strscopes.com> sales@strscopes.com

Inquiries